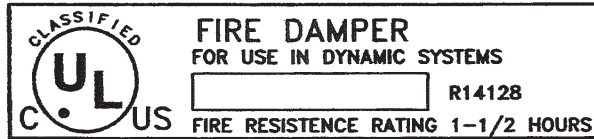
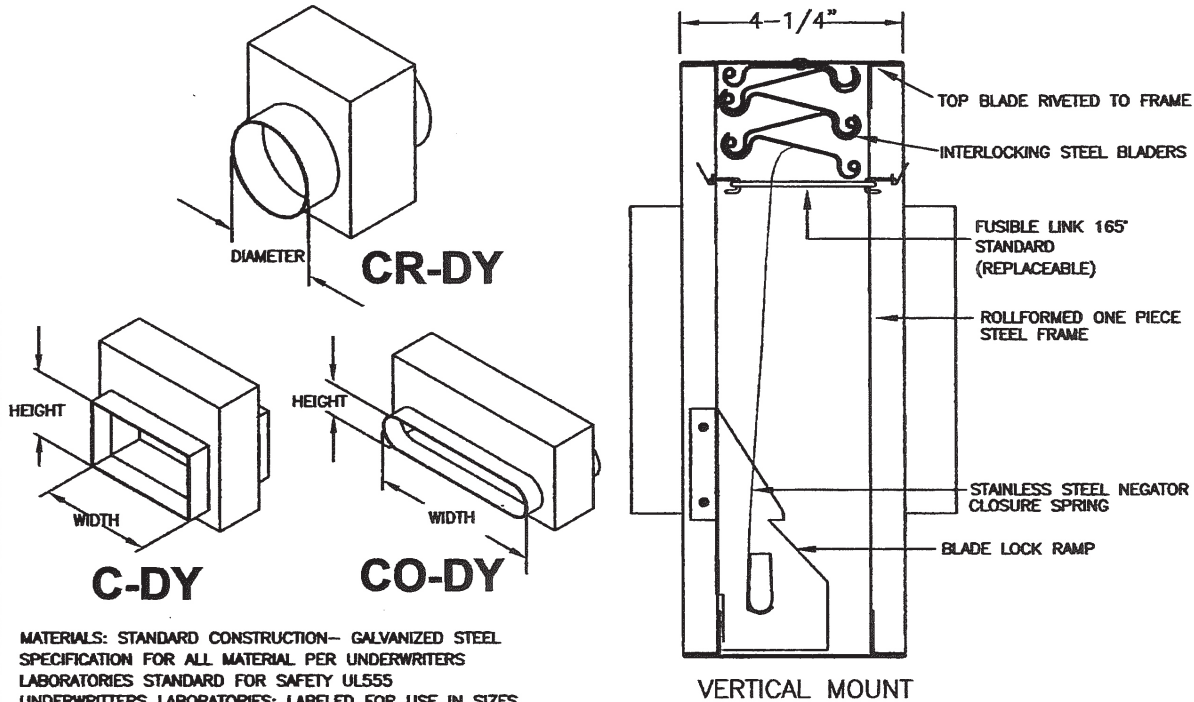


# DYNAMIC FIRE DAMPERS

FIRE DAMPER MODEL-75H-C-DY DYNAMIC FIRE DAMPER type  
VERTICAL AND HORIZONTAL



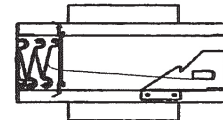
**75C-DY**  
**75CR-DY**  
**75CO-DY**



MATERIALS: STANDARD CONSTRUCTION— GALVANIZED STEEL SPECIFICATION FOR ALL MATERIAL PER UNDERWRITERS LABORATORIES STANDARD FOR SAFETY UL555 UNDERWRITERS LABORATORIES: LABELED FOR USE IN SIZES NO LARGER THAN SHOWN IN UL BUILDING MATERIALS LIST IN A 2-HOUR FIRE PARTITION.

DYNAMIC FIRE DAMPERS: FEATURE VERTICAL AND HORIZONTAL CLOSURE SPRING OPERATION UNDER AIRFLOW IN HVAC SYSTEMS WHERE FANS REMAIN RUNNING IN FIRE AND SMOKE CONTROL. DYNAMIC FIRE DAMPERS BEAR A LABEL ATTESTING TO AIRFLOW AND MAXIMUM STATIC PRESSURE LIMITS.

DYNAMIC FIRE DAMPERS: BI-DIRECTIONAL 2000 FPM MAXIMUM VELOCITY 4.0 WG MAXIMUM STATIC PRESSURE



HORIZONTAL MOUNT

SINGLE SECTION SIZE AVAILABILITY					JOB NAME: _____
	VERTICAL		HORIZONTAL		
		WIDTH	HEIGHT	WIDTH	HEIGHT
MINIMUM	4"	4"	4"	4"	ENGINEER: _____
MAXIMUM	24"	24"	24"	24"	
MULTIPLE SECTION SIZE AVAILABILITY					
MINIMUM	CONSULT FACTORY FOR				
MAXIMUM	AVAILABILITY				

10536-REV-A-3



## LLOYD INDUSTRIES INC.

231 Commerce Drive  
Montgomeryville, PA 18936  
215-412-4445 • Fax: 215-412-4409  
Email: lloydind@firedamper.com

138 Industrial Loop West  
Orange Park, FL 32073  
904-541-1655 • Fax: 904-541-1657  
Email: lloydind1@bellsouth.net

website: www.firedamper.com

Lloyd Asia  
B1, 4/F., Luen Ming Hing Factory Building  
36 Mok Cheong St.

To Kwa Wan, Kowloon, H.K.  
852-2760 4188 • Fax: 852-2760 4177  
tatanlexyim@lloydasia.com

